


Item number: **FRS.06.112.80400/S**

Revision: **00** · Date: **03 - 2026**

Mounting kit for EVO footrest

 ~ 0.5 h.

EASY  DIFFICULT

ENGLISH · Thank you for choosing this premium product from SW-MOTECH. Visit our online shop for more information (e.g. model assignments). Required documents (e.g. national type approval) are available there for you to download.

Please read and understand all the instructions, safety information and warnings in these mounting instructions before mounting and using the product in order to avoid injury and damage. Keep these mounting instructions for reference.

This product was developed for vehicles in factory condition. Compatibility with original accessories or accessories from other manufacturers cannot be guaranteed.

These mounting instructions have been prepared to the best of our current knowledge. No legal claims relating to accuracy can be made. Errors and omissions excepted. We reserve the right to make technical and design changes. The copyright is held by SW-MOTECH.

SAFETY WARNING SYMBOL

 This warning symbol is used in these mounting instructions to warn of deadly dangers, injuries or other hazards. The words **DANGER, WARNING** or **CAUTION** are used as part of this warning symbol to convey important safety messages and information relating to the installation and use of this product. These words, together with the safety warning symbol, mean:


 **DANGER:** Indicates a hazardous situation which, if not avoided, will result in death or serious injury!

 **WARNING:** Indicates a hazardous situation which, if not avoided, may result in death or serious injury!

 **CAUTION:** Indicates a hazardous situation which, if not avoided, may result in minor or moderate injury!

 **NOTE:** Important information, but not relating to a risk of death or injury (property damage only)!

GENERAL INFORMATION


 **WARNING:** The installation and/or maintenance of this product requires advanced technical expertise, proper tools and a good understanding of tool usage and torque specifications. For your own safety, SW-MOTECH recommends having the installation and/or maintenance carried out by a workshop with appropriately trained personnel.


 **WARNING:** If you do choose to assemble this product yourself, carefully and fully read the mounting instructions before assembly and use, and follow all instructions to avoid serious injury or death. Also observe all relevant information in the vehicle manual when mounting or using the product. **IF YOU DO NOT UNDERSTAND ANY PART OF THESE MOUNTING INSTRUCTIONS OR NEED AN EXPLANATION AS TO A SPECIFIC INSTRUCTION, DO NOT ATTEMPT TO INSTALL THIS PRODUCT WITHOUT CONSULTING SW-MOTECH FOR ASSISTANCE!**

PREPARATION: Read the mounting instructions carefully and make sure that all parts on the parts list are available.

 **CAUTION:** Ensure that your vehicle is standing securely. Switch off the engine and remove the ignition key. Allow the engine/exhaust to cool down if necessary. Disconnect the battery when working on the electrical system. Only use proper tools and always wear safety goggles and gloves during assembly and maintenance. Have a second person help you with assembly and maintenance.

ASSEMBLY: All parts and connections removed from the vehicle must be reinstalled according to the vehicle manufacturer's specifications or replaced with parts and hardware supplied by SW-MOTECH.

 **WARNING:** Secure all threads with a medium-strength liquid threadlocker, unless otherwise specified.

 **DANGER:** Tightening torques not defined by SW-MOTECH must be obtained from the vehicle manufacturer or from a workshop with appropriately trained personnel.

FUNCTIONAL CHECK: After mounting the product, ensure that no moving parts are obstructed and that the function of the vehicle is not impeded. Cables and hoses must not rub against each other and/or be hindered in any way.

 **WARNING:** Carry out a comprehensive functionality check before you start to drive. Check the tightening torque of all connections and the tight fit of the product after the first 50 km and then at regular intervals. Mounted accessories can change the handling and stability of the vehicle.



SW-MOTECH GmbH & Co. KG
Ernteweg 7-10
35282 Rauschenberg
Germany



 info@sw-motech.com
 www.sw-motech.com



Take note of the symbols and what they mean in the ASSEMBLY section. If the term OEM appears in the ASSEMBLY section, the vehicle manufacturer's specifications must be observed and applied.



If you have any questions, please don't hesitate to contact our Customer Service team or our distributors. You can find our telephone number and a list of our distributors in our online shop:

www.sw-motech.com



Use thread locker: Indicates that a thread must be coated with liquid thread locker. H (HIGH): high strength; M (MEDIUM): medium strength; L (LOW): low strength.



Tighten/note the tightening torque information:

Indicates the tightening torque of a part specified by SW-MOTECH or the vehicle manufacturer (OEM).

PARTS LIST - READ AND KEEP MOUNTING INSTRUCTIONS!

2

1



FRS.06.112.Z95L.36

 **1/1**


2




FRS.06.112.Z95R.36

 **1/1**

3



SP.ST.020.016.01.94

 **2/2**

5

4



M8 x 35; DIN 912
SC.ST.08.035.01.912.109

 **2/2**

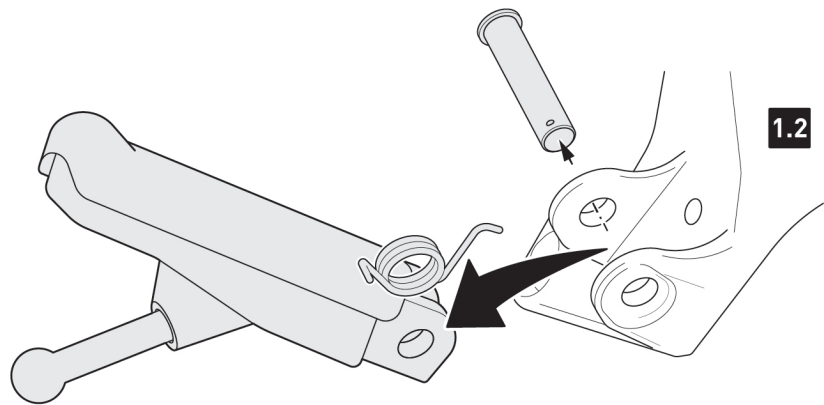
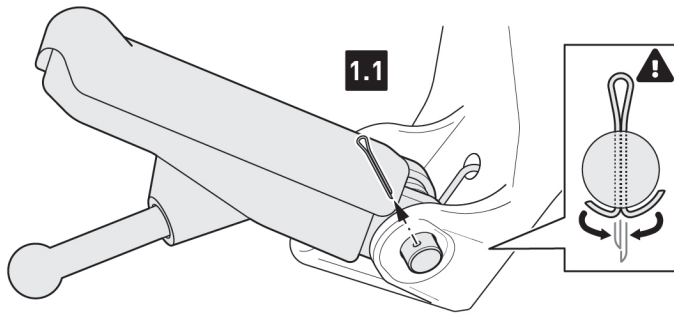
5



KEK.00.M6.ISK

 **2/2**

1



⚠ WARNING: Always wear eye and hand protection!
⚠ WARNING: Always use suitable tools!

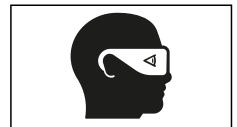
⚠ NOTE: All attachments marked with an asterisk (*) are part of the EVO footrests (FRS.00.112.1000-/-). Observe all instructions in the mounting instructions included with the EVO footrests.

⚠ NOTE: Assembly takes place on the **right side of the vehicle** in the same way as on the **left side of the vehicle**.

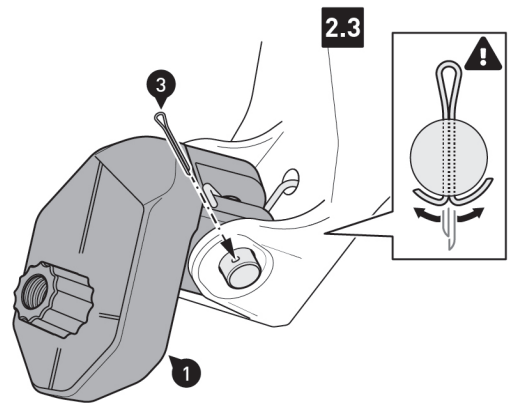
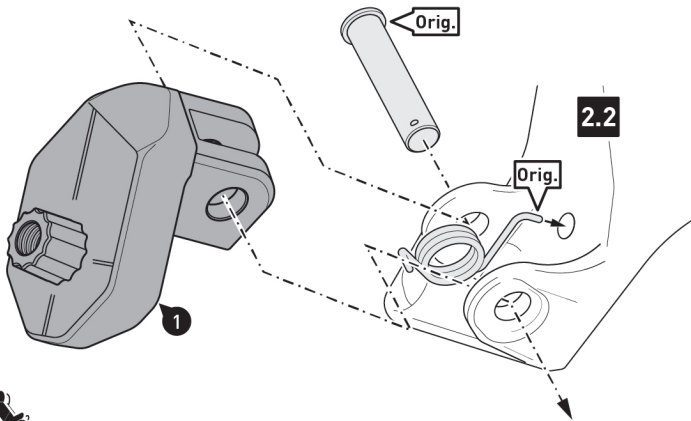
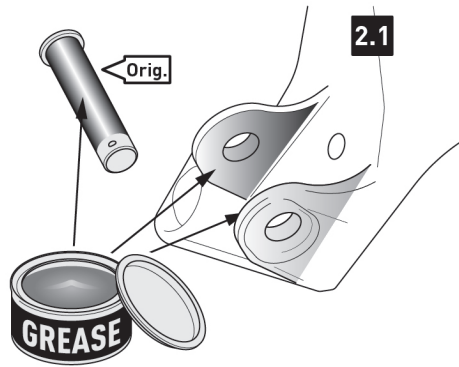
⚠ NOTE: Note the order and orientation of the original parts before removing the original footrests.

Step [1.1]: Remove the original cotter pin.

Step [1.2]: Remove the original footrests.



2

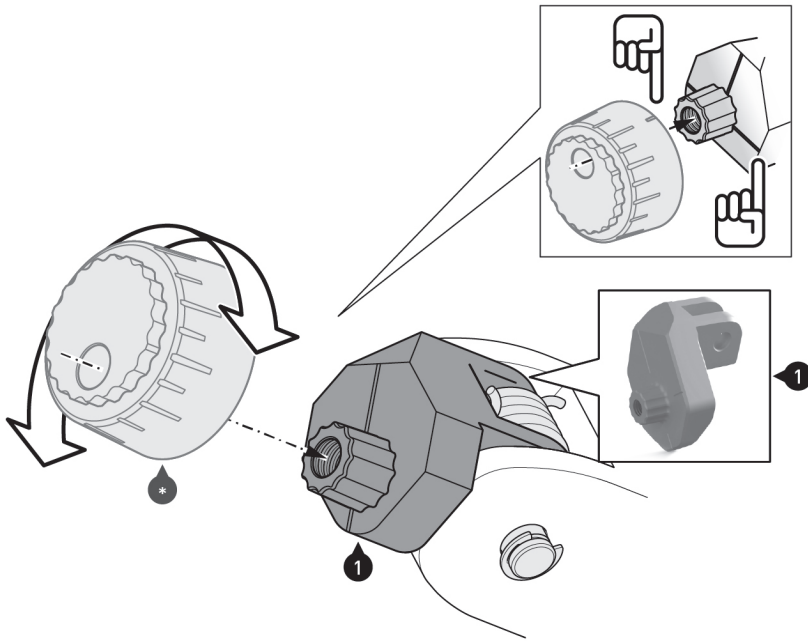


Step [2.1] : Clean the footrest mounts thoroughly. Apply some grease to the inside of the footrest holders and original bolts (Orig.).

Step [2.2] – [2.3]: Attach the joint adapters (1/2) to the footrest mounts using the original parts shown (Orig.) as well as the **new** safety pin (3).



3



Original Position Original position	Tiefste Position Lowest position
<p>0 mm</p>	<p>-15 mm</p>
-7,5 mm	
Nach vorne / forward	Nach hinten / backward

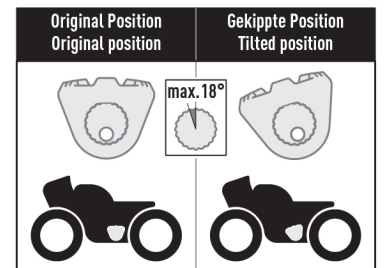
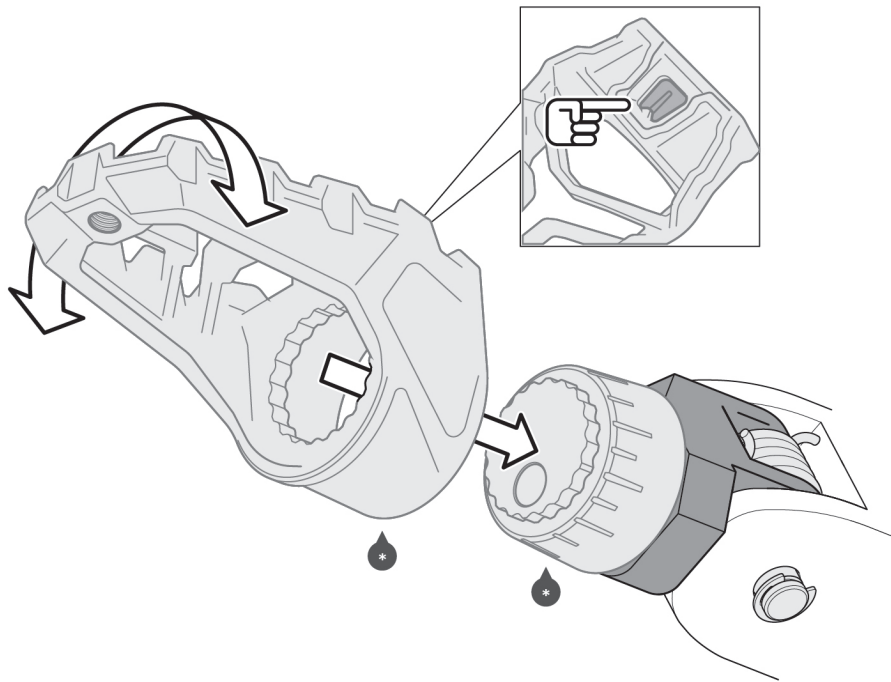
⚠ NOTE: Schematic representation of disassembly/assembly; the appearance of original parts and joint adapters may differ.

Place the positioning cones (-) onto the star-shaped receiving cones of the joint adapters (1/2). Because of the different mounting positions, the height of the footrests (-) can be individually adjusted (see left detailed drawing).

⚠ WARNING: Make sure to align the positioning cones (-) side-by-side!

The markings on the joint adapters (1/2) and the positioning cones (-) serve as orientation (see upper detailed drawing).

4

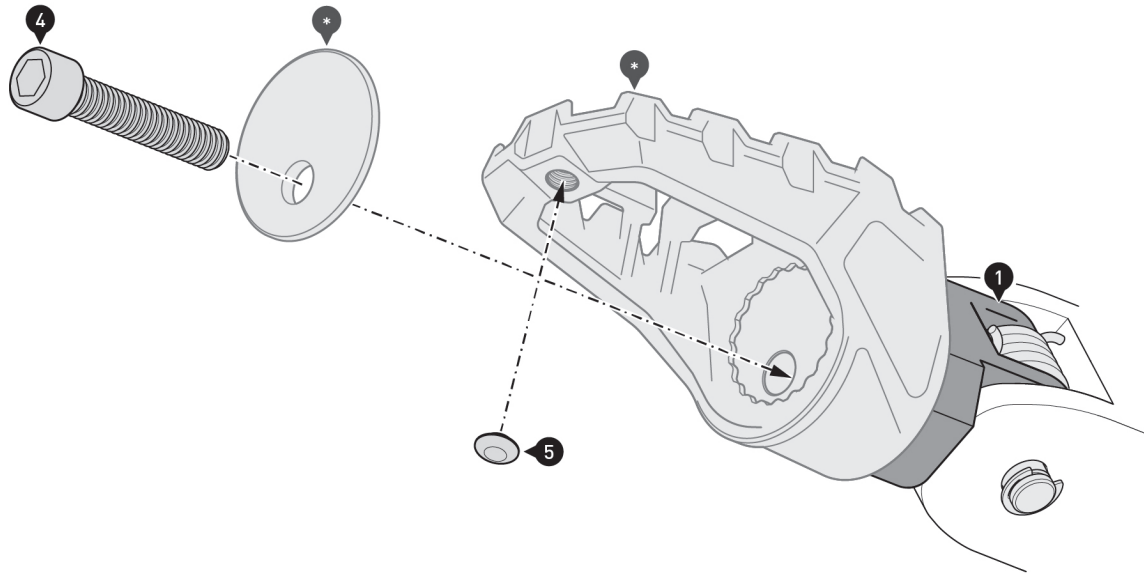


Place the footrests (-) onto the positioning cones (-). By interlocking the positioning cones (-), the angle of inclination of the footrests (-) can be individually adjusted (not more than 18°; see left detailed drawing).

⚠ WARNING: Make sure to align the footrests (-) side by side.

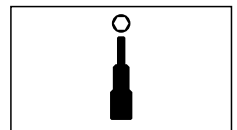
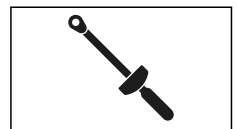
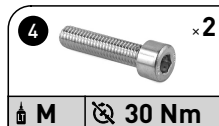
The markings on the positioning cones (-) are used for orientation (see upper detailed drawing).

5



First screw the footrests [-] loosely onto the joint adapters [1/2]. Check again for side-synchronous alignment and ergonomics.

▲ WARNING: Use medium-strength liquid thread-locking agent.
Tighten the screws (4) as specified in the mounting instructions.



PRODUCT-SPECIFIC NOTES

▲ WARNING: This product may inhibit cornering and ground clearance in cases of extreme inclination!

▲ NOTE: Observe the country-specific regulations for the registration/operation of your vehicle or any applicable TÜV regulations. Have parts subject to registration entered in the vehicle documents by your inspection authority after installation.

If a national type approval is available for this product:

You must always carry the national type approval supplied with the product with you! This national type approval only applies to the models listed and must comply with all requirements! For use with a vehicle not listed here, the entry must be made in the vehicle documents!

The vehicle assignments in the national type approval document are expanded annually. As a result, the national type approval for a new product may only take place a few months after the market launch. If your model is not listed or if you no longer have the national type approval document, please visit the Download section of our web shop. The current version of the national type approval document will be available there.